

HMP60N380E7

N-Channel eMOS E7 Power MOSFET

600 V, 9.6 A, 380 mΩ

Description

The 600V eMOS E7 is an advanced Power Master Semiconductor's Super Junction MOSFET family by utilizing charge balance technology for excellent low on-resistance and gate charge.

This technology combines the benefits of a fast switching performance with ease of usage and robustness.

Consequently, the eMOS E7 family is suitable for application requiring high power density and superior efficiency.

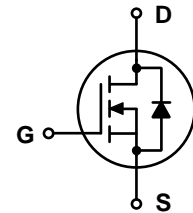
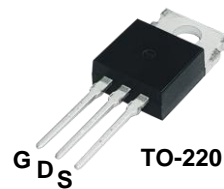
Features

$BV_{DSS} @ T_{J,max}$	I_D	$R_{DS(on),max}$	$Q_{g,typ}$
650 V	9.6 A	380 mΩ	15.5 nC

- Reduced Switching & Conduction Losses
- Lower Gate Resistance
- 100% Avalanche Tested
- Pb-free, Halogen Free, and RoHS Compliant

Applications

- PFC, Hard & Soft Switching Topologies
- Industrial & Consumer Power Supplies



Absolute Maximum Ratings ($T_C = 25^\circ\text{C}$ unless otherwise noted)

Symbol	Parameter	Value	Unit
V_{DSS}	Drain to Source Voltage	600	V
V_{GSS}	Gate to Source Voltage	± 30	V
I_D	Drain Current	Continuous ($T_C = 25^\circ\text{C}$)	9.6
		Continuous ($T_C = 100^\circ\text{C}$)	6.1
I_{DM}	Drain Current	Pulsed (Note1)	28.8
E_{AS}	Single Pulsed Avalanche Energy	(Note2)	40
I_{AS}	Avalanche Current	(Note2)	2.5
E_{AR}	Repetitive Avalanche Energy	(Note1)	0.87
dv/dt	MOSFET dv/dt	100	V/ns
	Peak Diode Recovery dv/dt	(Note3)	
P_D	Power Dissipation	($T_C = 25^\circ\text{C}$)	87
		Derate Above 25°C	0.7
T_J, T_{STG}	Operating and Storage Temperature Range	-55 to 150	$^\circ\text{C}$
T_L	Maximum Lead Temperature for Soldering, 1/8" from Case for 10 Seconds	260	$^\circ\text{C}$

Thermal Characteristics

Symbol	Parameter	Value	Unit
$R_{\theta JC}$	Thermal Resistance, Junction to Case, Max.	1.43	$^\circ\text{C/W}$
$R_{\theta JA}$	Thermal Resistance, Junction to Ambient, Max.	62.5	

Package Marking and Ordering Information

Part Number	Top Marking	Package	Packing Method	Quantity
HMP60N380E7	HMP60N380E7	TO-220	Tube	50 units

Electrical Characteristics ($T_C = 25^\circ\text{C}$ unless otherwise noted)

Symbol	Parameter	Test Conditions	Min	Typ	Max	Unit
--------	-----------	-----------------	-----	-----	-----	------

Off Characteristics

BV_{DSS}	Drain to Source Breakdown Voltage	$V_{GS} = 0\text{ V}, I_D = 1\text{ mA}$	600			V
		$V_{GS} = 0\text{ V}, I_D = 1\text{ mA}, T_J = 150^\circ\text{C}$	650			
I_{DSS}	Zero Gate Voltage Drain Current	$V_{DS} = 600\text{ V}, V_{GS} = 0\text{ V}$			1	μA
		$V_{DS} = 480\text{ V}, V_{GS} = 0\text{ V}, T_J = 125^\circ\text{C}$		2		
I_{GSS}	Gate-Source Leakage Current	$V_{GS} = \pm 30\text{ V}, V_{DS} = 0\text{ V}$			± 100	nA

On Characteristics

$V_{GS(th)}$	Gate Threshold Voltage	$V_{GS} = V_{DS}, I_D = 0.8\text{ mA}$	2.5		4.5	V
$R_{DS(on)}$	Static Drain to Source On Resistance	$V_{GS} = 10\text{ V}, I_D = 4.0\text{ A}$		318	380	m Ω

Dynamic Characteristics

C_{iss}	Input Capacitance	$V_{DS} = 400\text{ V}, V_{GS} = 0\text{ V},$ $f = 250\text{ kHz}$		628		pF
C_{oss}	Output Capacitance			20		pF
$C_{o(tr)}$	Time Related Output Capacitance	$V_{DS} = 0\text{ V to } 400\text{ V}, V_{GS} = 0\text{ V}$		239		pF
$C_{o(er)}$	Energy Related Output Capacitance			30		pF
$Q_{g(tot)}$	Total Gate Charge at 10 V	$V_{DS} = 400\text{ V}, I_D = 4.0\text{ A},$ $V_{GS} = 10\text{ V}$		15.5		nC
Q_{gs}	Gate to Source Charge			3.0		nC
Q_{gd}	Gate to Drain "Miller" Charge			7.9		nC
R_G	Gate Resistance	$f = 1\text{ MHz}$		1.0		Ω

Switching Characteristics

$t_{d(on)}$	Turn-On Delay Time	$V_{DS} = 400\text{ V}, I_D = 4.0\text{ A},$ $V_{GS} = 10\text{ V}, R_G = 10\ \Omega$ See Figure 13		8		ns
t_r	Turn-On Rise Time			13		ns
$t_{d(off)}$	Turn-Off Delay Time			30		ns
t_f	Turn-Off Fall Time			8		ns

Source-Drain Diode Characteristics

I_S	Maximum Continuous Diode Forward Current			9.6		A
I_{SM}	Maximum Pulsed Diode Forward Current			28.8		A
V_{SD}	Diode Forward Voltage	$V_{GS} = 0\text{ V}, I_{SD} = 4.0\text{ A}$			1.2	V
t_{rr}	Reverse Recovery Time	$V_{DD} = 400\text{ V}, I_{SD} = 4.0\text{ A},$ $di_F/dt = 100\text{ A}/\mu\text{s}$		221		ns
Q_{rr}	Reverse Recovery Charge			1.8		μC

※Notes:

1. Repetitive rating: pulse-width limited by maximum junction temperature.
2. $I_{AS} = 2.5\text{ A}, R_G = 25\ \Omega$, starting $T_J = 25^\circ\text{C}$.
3. $I_{SD} \leq 4\text{ A}, di/dt \leq 100\text{ A}/\mu\text{s}, V_{DD} \leq 400\text{ V}$, starting $T_J = 25^\circ\text{C}$.

Typical Performance Characteristics

Figure 1. On-Region Characteristics

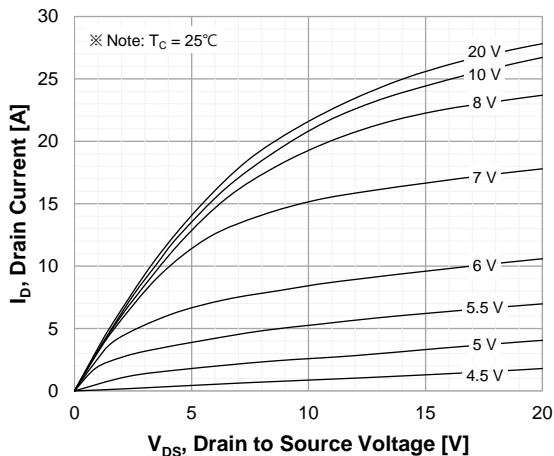


Figure 2. Transfer Characteristics

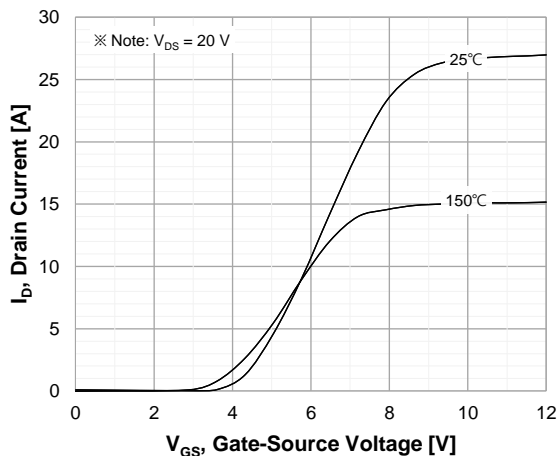


Figure 3. On-Resistance Characteristics vs. Drain Current and Gate Voltage

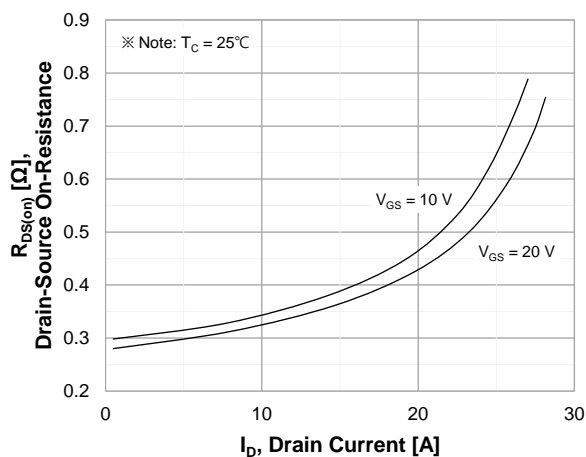


Figure 4. Diode Forward Voltage Characteristics vs. Source-Drain Current and Temperature

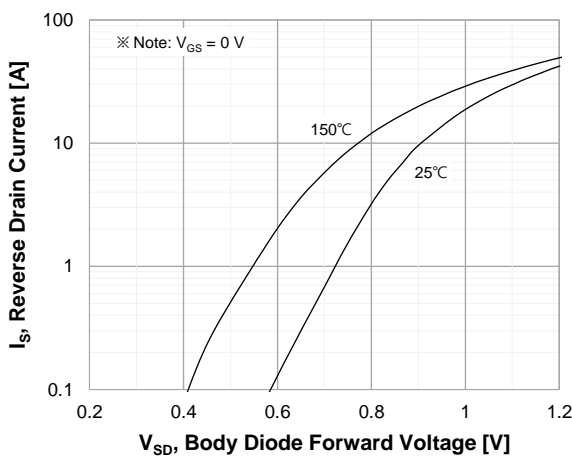


Figure 5. Capacitance Characteristics

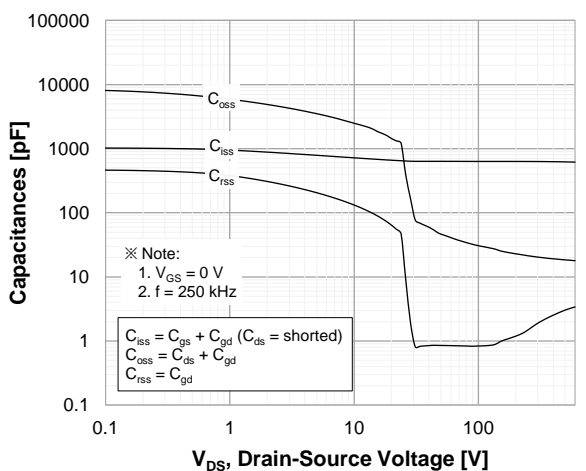
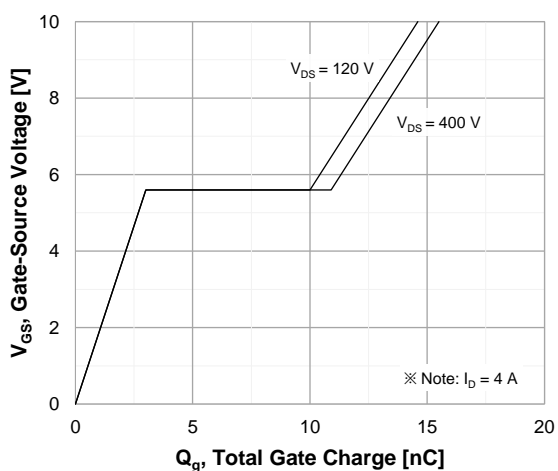


Figure 6. Gate Charge Characteristics



Typical Performance Characteristics

Figure 7. Breakdown Voltage Characteristics vs. Temperature

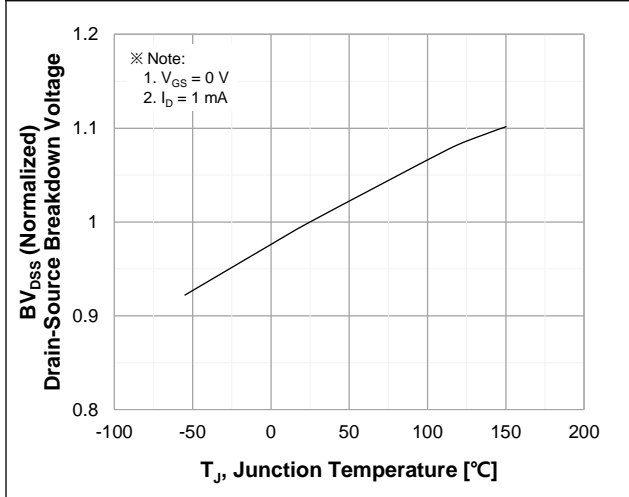


Figure 8. On-Resistance Characteristics vs. Temperature

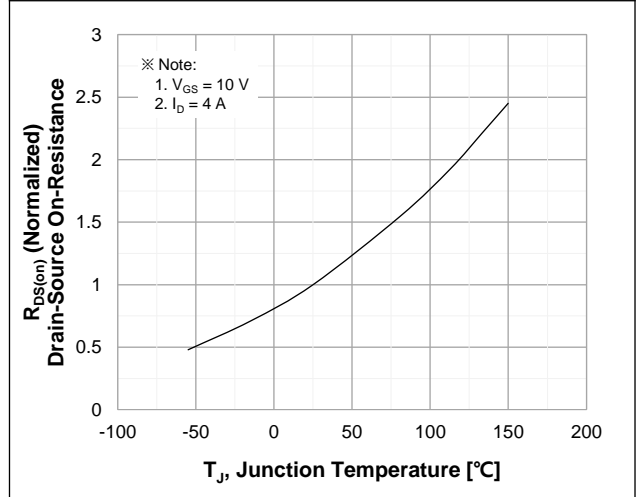


Figure 9. Maximum Safe Operating Area

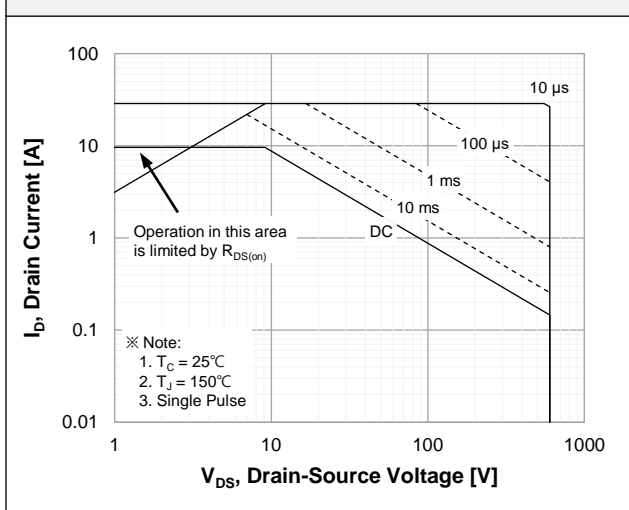


Figure 10. Maximum Drain Current vs. Case Temperature

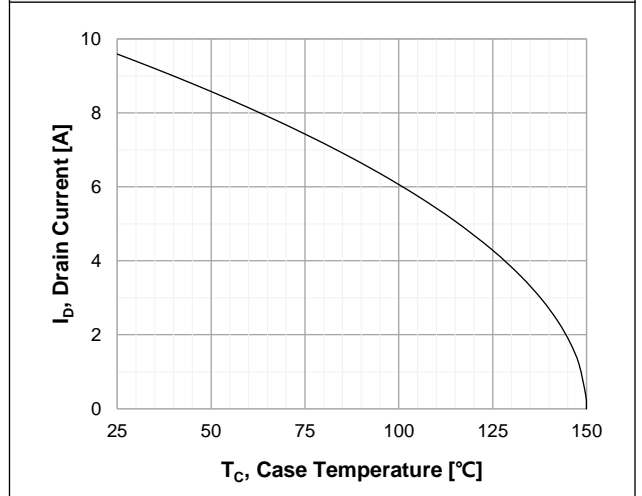


Figure 11. E_oss vs. Drain to Source Voltage

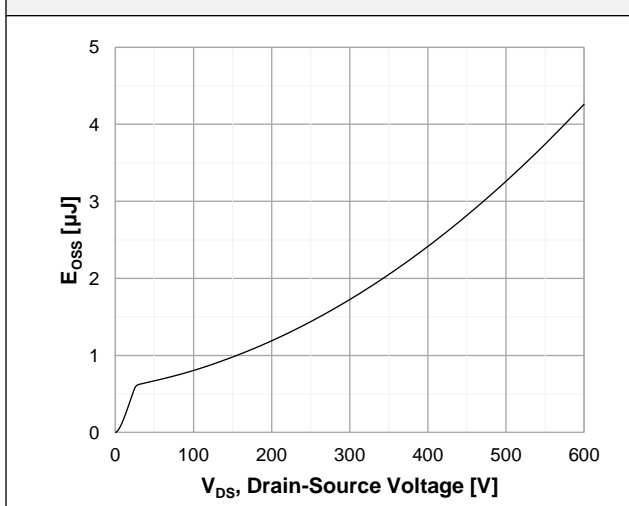
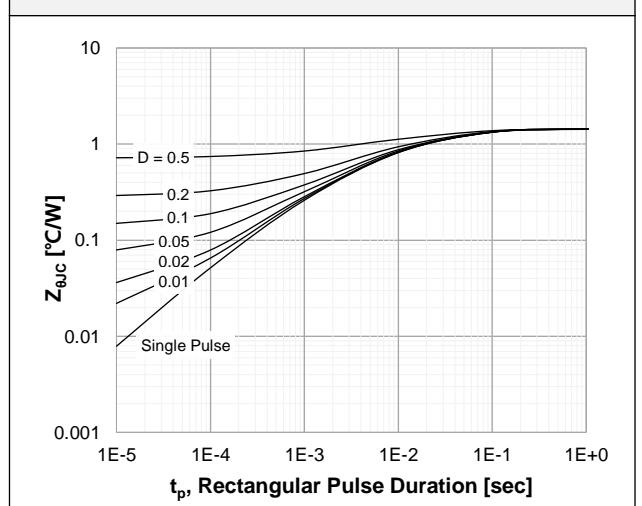


Figure 12. Transient Thermal Response Curve



Test Circuits

Figure 13. Inductive Load Switching Test Circuit and Waveforms

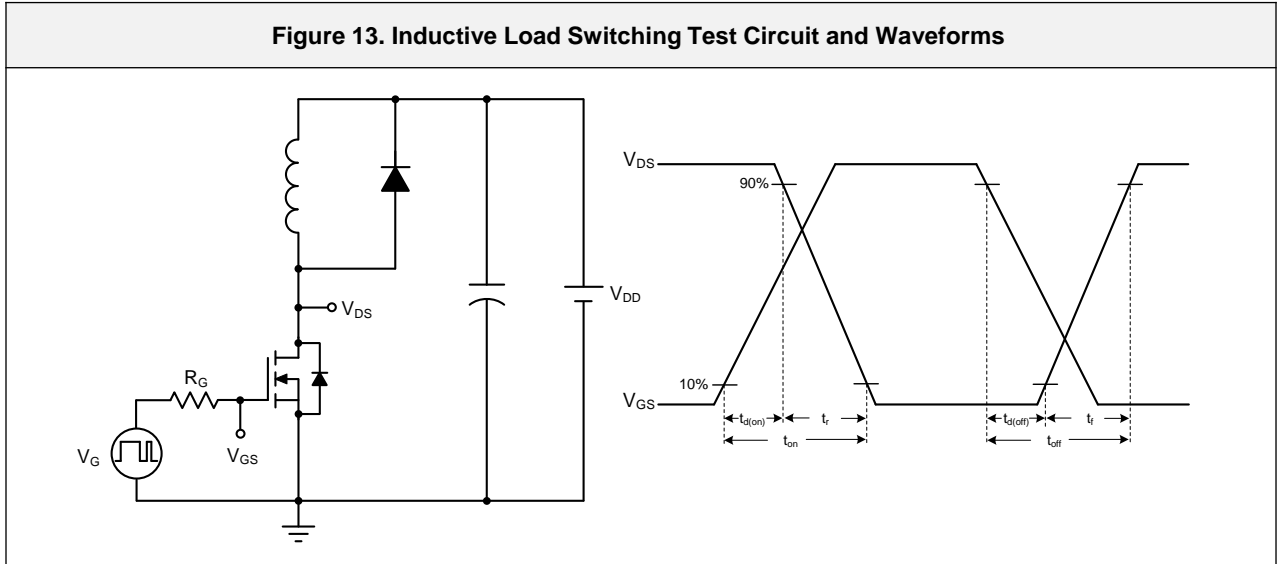


Figure 14. Unclamped Inductive Switching Test Circuit and Waveforms

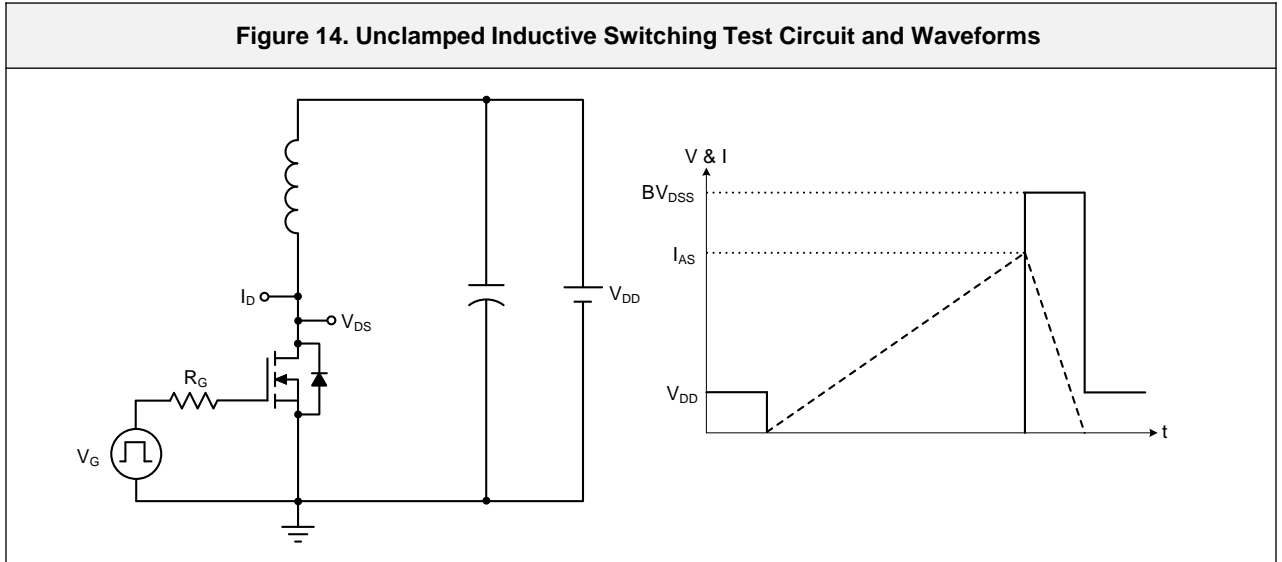
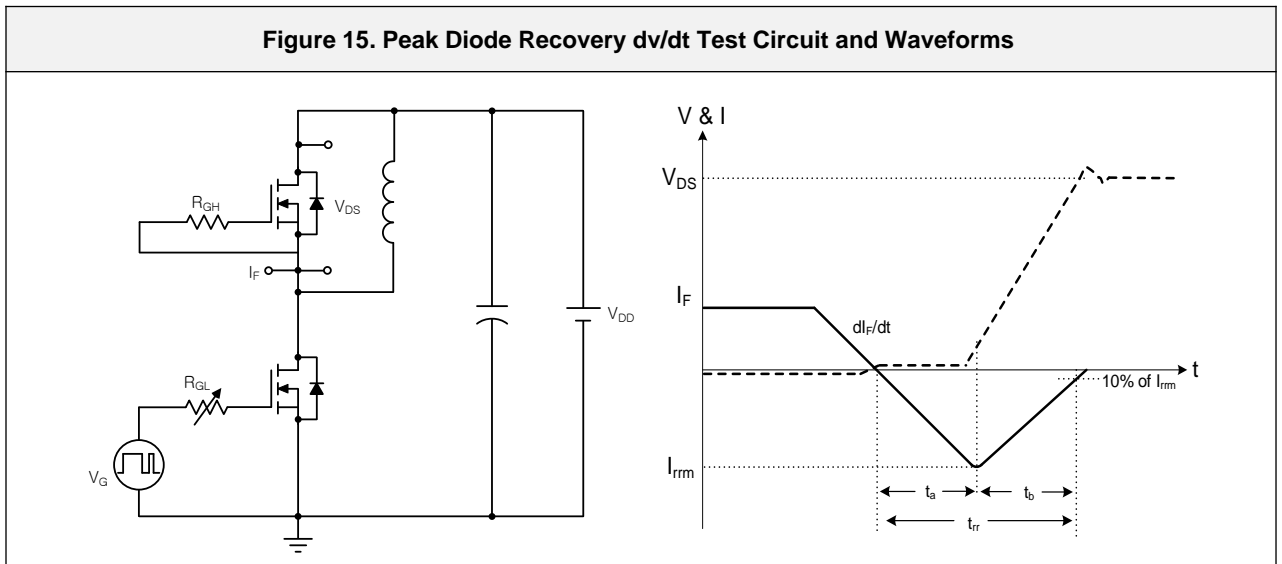
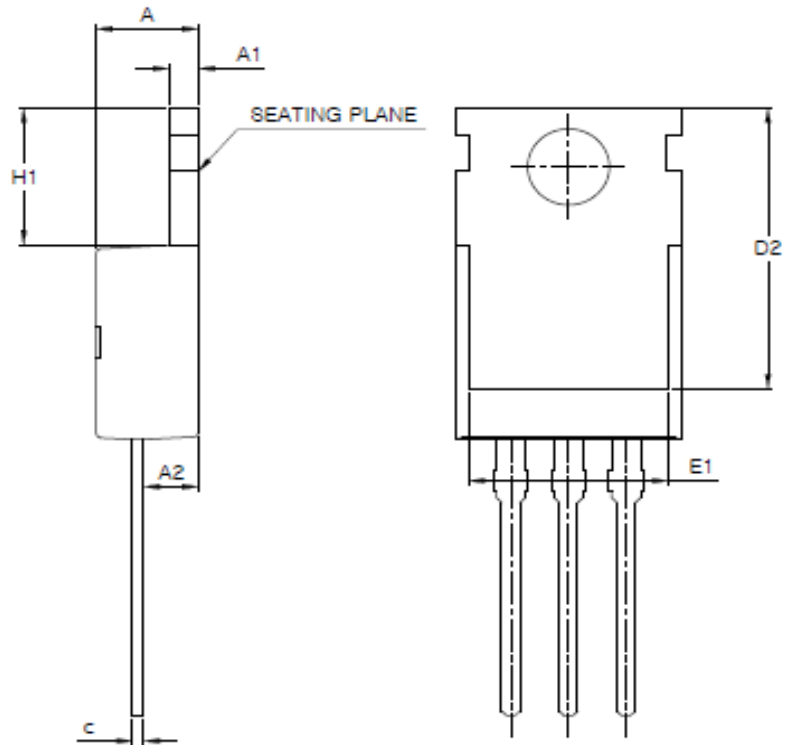
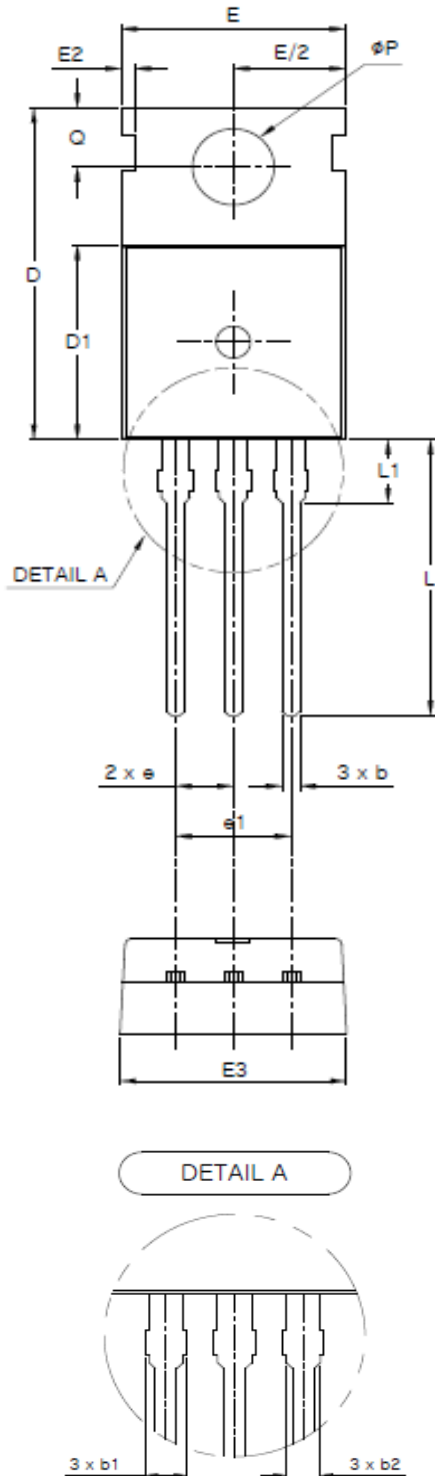


Figure 15. Peak Diode Recovery dv/dt Test Circuit and Waveforms



Package Outlines

TO-220



SYMBOL	MIN	NOM	MAX
A	4,30	4,50	4,70
A1	1,25	1,30	1,40
A2	2,20	2,40	2,60
b	0,70	0,80	0,90
b1	1,42	1,52	1,62
b2	1,17	1,27	1,37
c	0,45	0,50	0,60
D	15,50	15,70	15,90
D1	9,00	9,20	9,40
D2	13,10	13,30	13,50
E	9,70	9,90	10,10
E1	(8,80)		
E2	(0,60)		
E3	9,80	10,00	10,20
e	2,54 BSC		
e1	5,08 BSC		
H1	6,30	6,50	6,70
L	12,88	13,08	13,28
L1	(3,00)		
ϕP	3,40	3,60	3,80
Q	2,70	2,80	2,90

* Dimensions in millimeters