

HCW120D10D1

eSiC Silicon Carbide Schottky Diode

1200V, 10A

Description

The 1200V eSiC is an advanced Power Master Semiconductor's silicon carbide diode family.

This technology combines the benefits of excellent low forward voltage and robustness.

Consequently, the eSiC family is suitable for application requiring high power efficiency

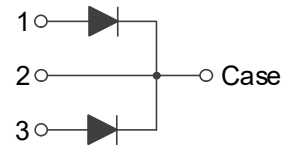
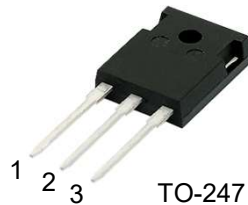
Applications

- Solar inverter, UPS
- EV charging station
- Power Factor Correction

Features (Per Leg/Device)

V_{RRM}	I_F	$T_{J,max}$	Q_C
1200 V	5 / 10 A	175 °C	32 nC

- No reverse recovery current
- Low forward voltage
- 175°C Max junction temperature
- High surge current capability
- Switching behavior independent of temperature
- Pb-Free, Halogen Free and RoHS compliant



Absolute Maximum Ratings (Per Leg / Device, Per Leg unless otherwise specified)

Symbol	Parameter	Value	Unit	
V_{RRM}	Repetitive Peak Reverse Voltage $T_C = 25^\circ\text{C}$	1200	V	
I_F	Forward Current $T_C = 154^\circ\text{C}$	5 / 10	A	
$I_{F,SM}$	Non-Repetitive Forward Surge Current $T_C = 25^\circ\text{C}, t_p = 10 \text{ ms}$	40	A	
		$T_C = 150^\circ\text{C}, t_p = 10 \text{ ms}$	34	A
$I_{F,Max}$	Non-Repetitive Peak Forward Current $T_C = 25^\circ\text{C}, t_p = 10 \mu\text{s}$	440	A	
		$T_C = 150^\circ\text{C}, t_p = 10 \mu\text{s}$	370	A
I^2dt value	$\int I^2 dt$	$T_C = 25^\circ\text{C}, t_p = 10 \text{ ms}$	8	A^2s
		$T_C = 150^\circ\text{C}, t_p = 10 \text{ ms}$	5.8	A^2s
P_{tot}	Power Dissipation $T_C = 25^\circ\text{C}$	87	W	
T_J, T_{STG}	Operating Junction and Storage Temperature	-55 to +175	$^\circ\text{C}$	

Thermal Characteristics

Symbol	Parameter	Value	Unit
$R_{\theta JC}$	Thermal Resistance, Junction to Case, Max. (Per Leg / Device)	1.73 / 0.67	$^\circ\text{C}/\text{W}$

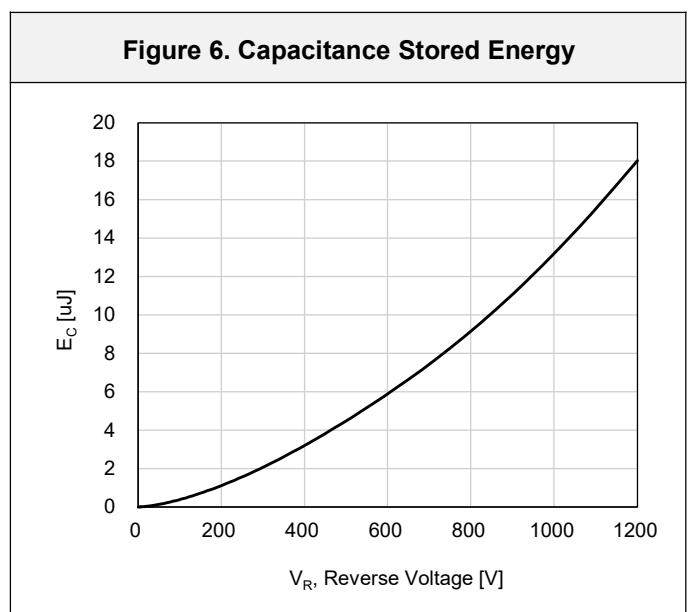
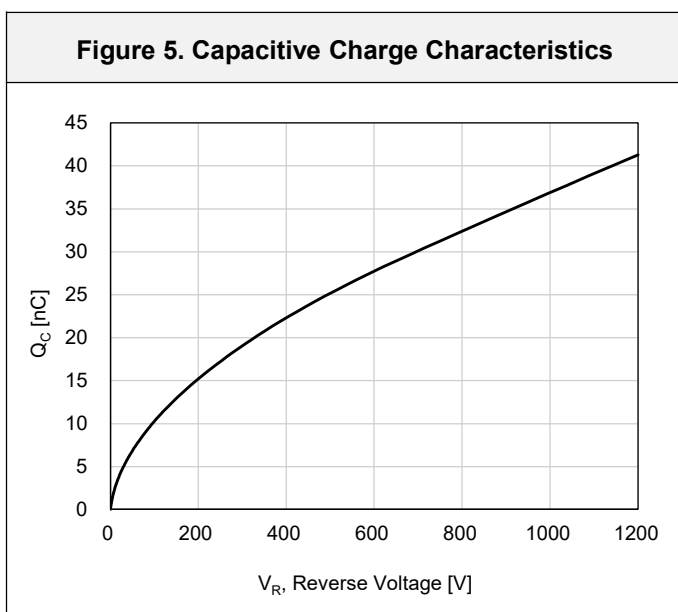
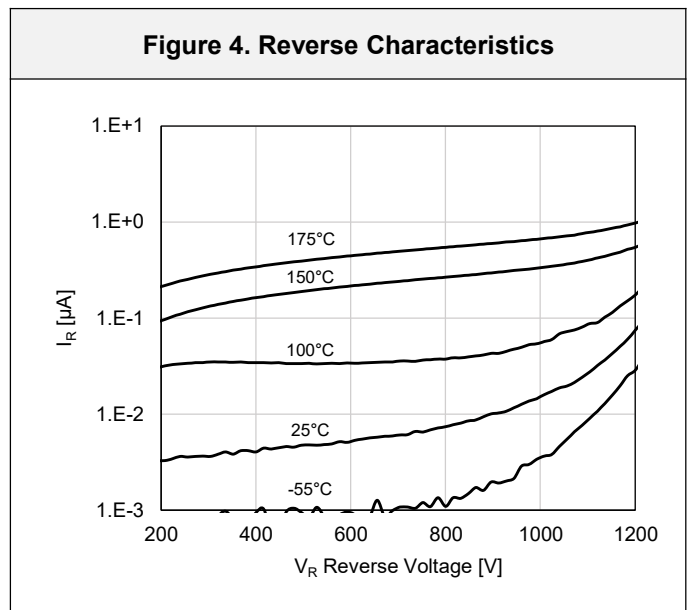
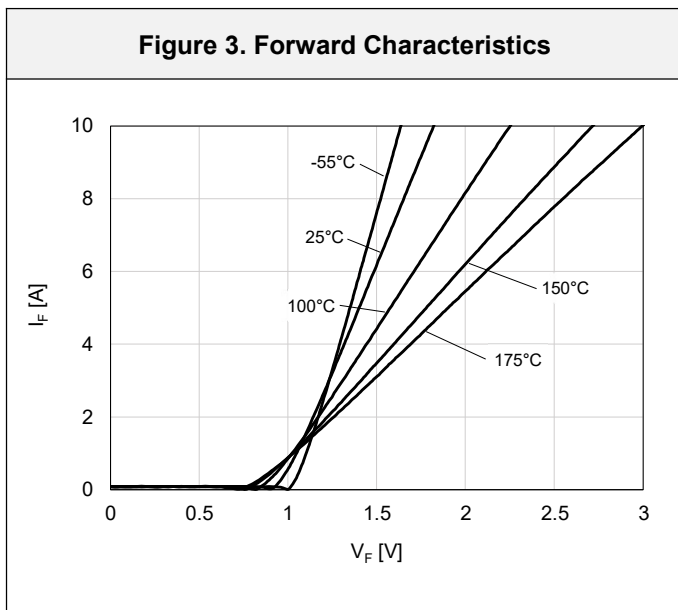
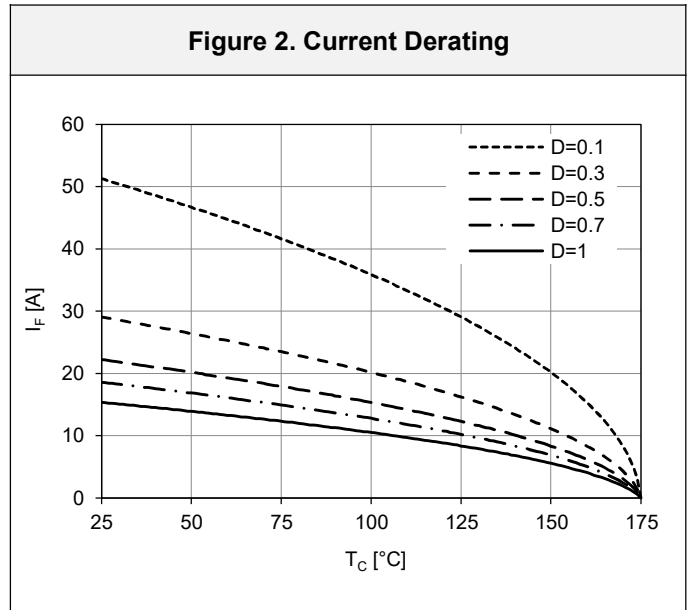
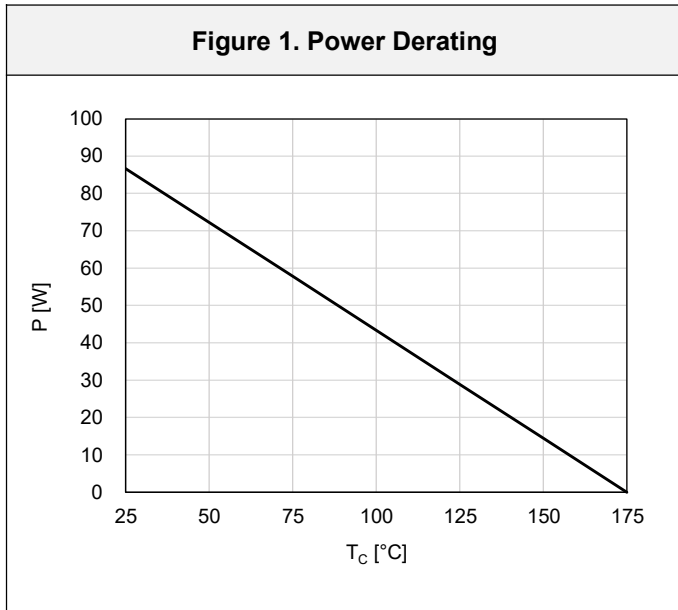
Package Marking and Ordering Information

Part Number	Top Marking	Package	Packing Method	Quantity
HCW120D10D1	HCW120D10D1	TO-247	Tube	30 units

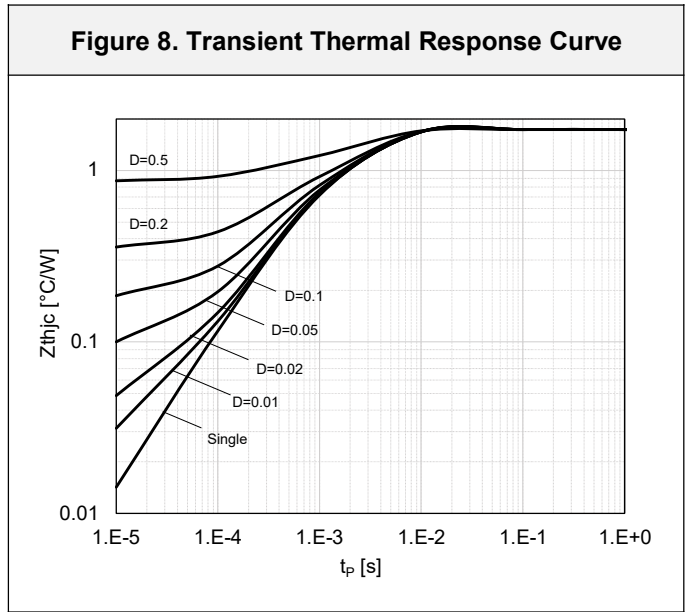
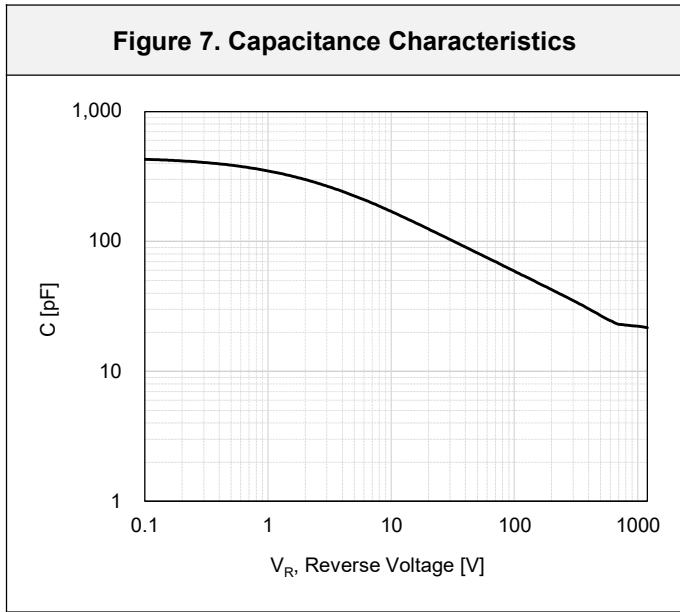
Electrical Characteristics (Per Leg, $T_C = 25^\circ\text{C}$ unless otherwise noted)

Symbol	Parameter	Test Conditions	Min	Typ	Max	Unit
V_F	Forward Voltage	$I_F = 5\text{ A}, T_C = 25^\circ\text{C}$		1.39	1.70	V
		$I_F = 5\text{ A}, T_C = 175^\circ\text{C}$		1.8	-	
I_R	Reverse Current	$V_R = 1200\text{ V}, T_C = 25^\circ\text{C}$		-	100	μA
		$V_R = 1200\text{ V}, T_C = 175^\circ\text{C}$		-	300	
Q_C	Total Capacitive Charge	$V_R = 800\text{ V}, T_C = 25^\circ\text{C}$		32		nC
C	Total Capacitance	$V_R = 1\text{ V}, f = 100\text{ kHz}$		349		pF
		$V_R = 800\text{ V}, f = 100\text{ kHz}$		22.7		
E_C	Capacitance Stored Energy	$V_R = 800\text{ V}, T_C = 25^\circ\text{C}$		9.2		μJ

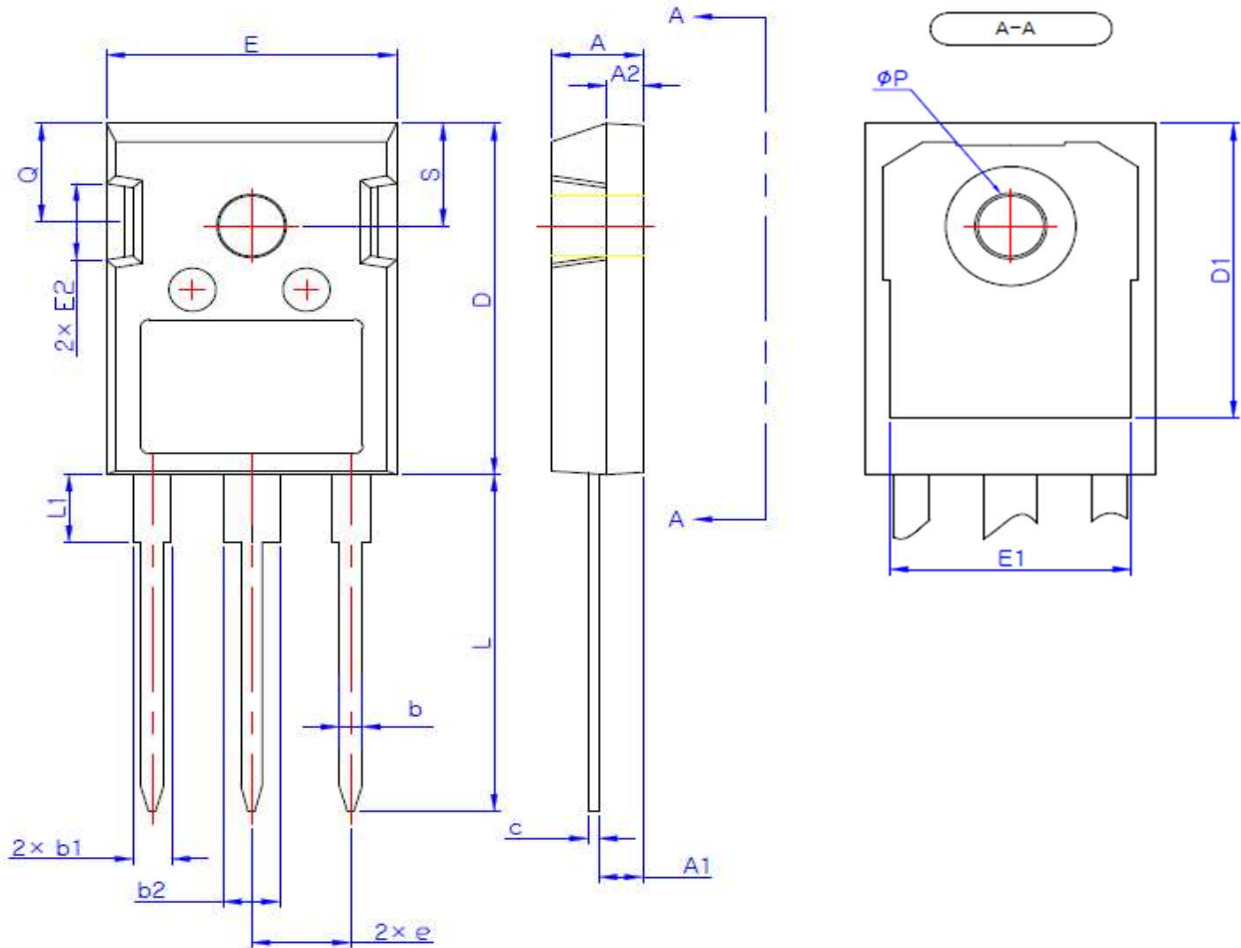
Typical Performance Characteristics (Per Leg)



Typical Performance Characteristics (Per Leg)



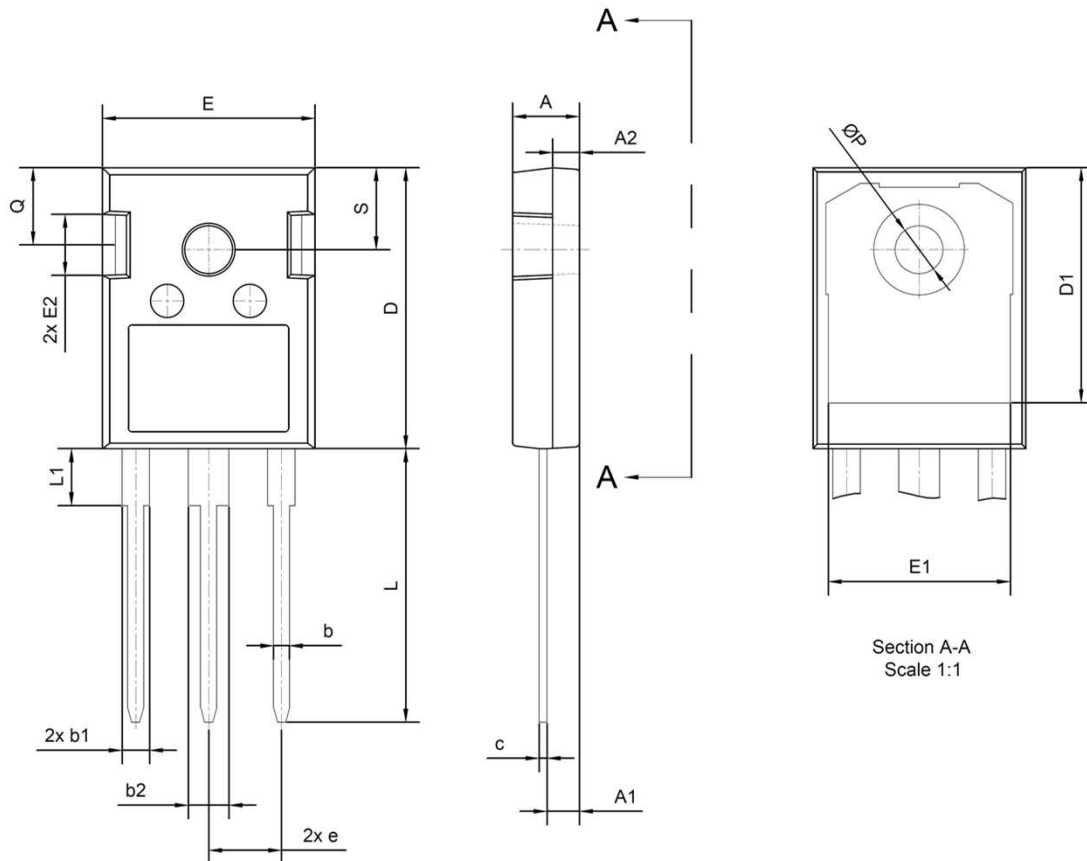
Package Outlines
TO-247 (S)



SYMBOL	MIN	NOM	MAX
A	4.80	5.00	5.20
A1	2.29	2.42	2.54
A2	1.90	2.00	2.10
b	1.10	1.20	1.30
b1	1.91	2.06	2.20
b2	2.92	3.06	3.20
c	0.50	0.60	0.70
D	20.80	21.07	21.34
D1	17.43	17.63	17.83
E	15.75	15.94	16.13
E1	13.06	13.26	13.46
E2	4.32	4.58	4.83
e	5.45 BSC		
L	19.85	20.05	20.25
L1	4.05	4.27	4.49
φP	3.55	3.60	3.65
Q	5.59	5.89	6.19
S	6.15 BSC		

* Dimensions in millimeters

Package Outlines
TO-247 (H)



Section A-A
 Scale 1:1

SYMBOL	Common		
	DIMENSIONS MILLIMETER		
	MIN.	NOM.	MAX.
A	4.80	5.00	5.20
A1	2.29	2.42	2.54
A2	1.90	2.00	2.10
b	1.10	1.20	1.30
b1	1.91	2.06	2.20
b2	2.92	3.06	3.20
c	0.50	0.60	0.70
D	20.80	21.07	21.34
D1	17.23	17.63	18.03
E	15.75	15.94	16.13
E1	13.46	13.66	13.86
E2	4.32	4.58	4.83
e	5.46 BSC		
L	19.85	20.05	20.25
L1	4.05	4.27	4.48
ØP	3.56	3.61	3.66
Q	5.38	5.79	6.20
S	6.15 BSC		